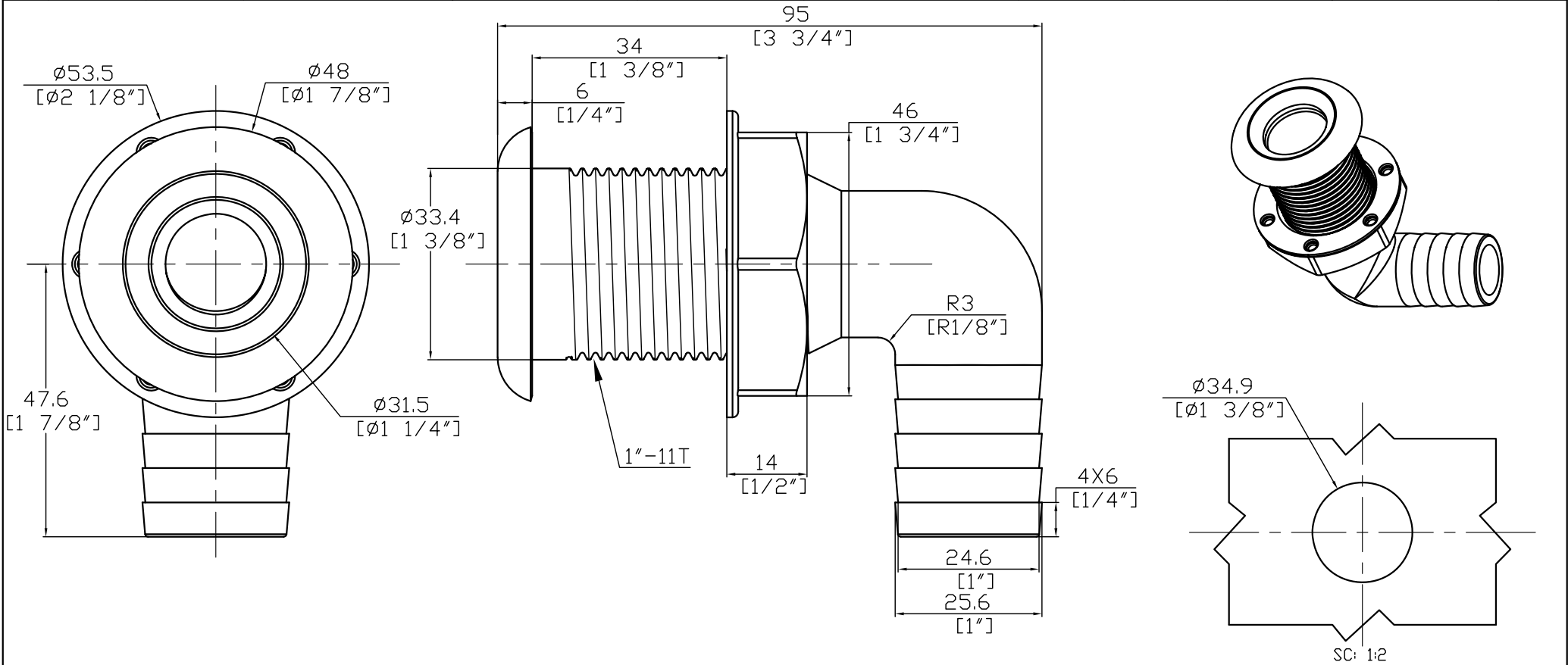




90° STALON THRU HULL 1"*95mm

DATE	DRAWN	CHKD	SCALE	DRAWING NUMBER
21MAY2020	LZB	P.L	1:1	J-9105419

REV	DATE	DRAWN/CHKD	DESCRIPTION	PART NUMBER	MATERIAL	FINISH						
				9105419	XXXXX	XXXXX						
											MILLIMETERS	
											ALL DIMENSIONS WITHOUT TOLERANCES ARE FOR REFERENCE ONLY.	



CONFIDENTIALITY NOTICE: The information contained in this document unless otherwise stated is privileged and confidential information and is intended for the use of the individual or company that have been specifically authorized to receive it. If you are not the intended recipient, and or if you are not under a confidentiality agreement with the Marine Town Inc., you are hereby notified that any use of the information herein by you or any dissemination, distribution or copying of this document or its content is strictly prohibited, failure to notify sender to the contrary within ten days constitutes agreement to these terms. If you have received this document in error, please delete it and notify Marine Town immediately at 886-2-2957-9880 or info@marinetown.com.tw.