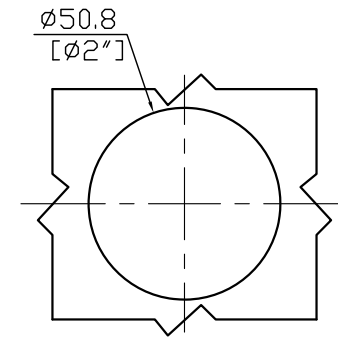
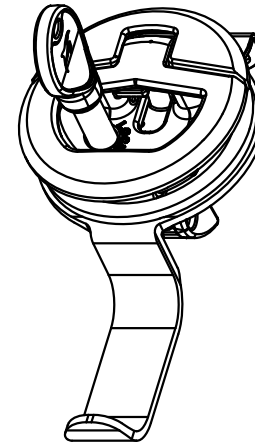
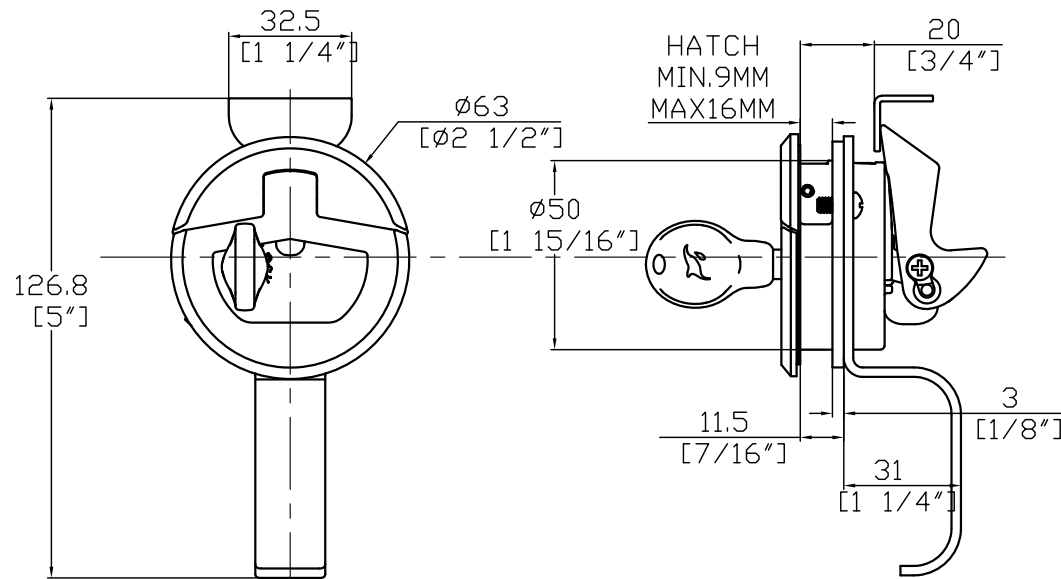




PRIVACY DOOR GRAND SLAM LATCH 2"

DATE	DRAWN	CHKD	SCALE	DRAWING NUMBER
25SEP2021	HIX	P.L	1:2	J-0907795

REV	DATE	DRAWN/CHKD	DESCRIPTION	PART NUMBER	MATERIAL	FINISH					
				0907795	XXXXX	XXXXX					
										MILLIMETERS	
										ALL DIMENSIONS WITHOUT TOLERANCES ARE FOR REFERENCE ONLY.	
										 THIRD ANGLE PROJECTION	 A4 PAPER SIZE



PANEL PREPARATION

CONFIDENTIALITY NOTICE: The information contained in this document unless otherwise stated is privileged and confidential information and is intended for the use of the individual or company that have been specifically authorized to receive it. If you are not the intended recipient, and or if you are not under a confidentiality agreement with the Marine Town Inc., you are hereby notified that any use of the information herein by you or any dissemination, distribution or copying of this document or its content is strictly prohibited, failure to notify sender to the contrary within ten days constitutes agreement to these terms. If you have received this document in error, please delete it and notify Marine Town immediately at 886-2-2957-9880 or info@marinetown.com.tw.