



DUAL STRIKE SPRING SLIDE LATCH

DATE	DRAWN	CHKD	SCALE	DRAWING NUMBER
28APR2023	CJY	P.L	1:2	H-0907537

REV	DATE	DRAWN/CHKD	DESCRIPTION	PART NUMBER	MATERIAL	FINISH
				0907537	XXXXX	XXXXX

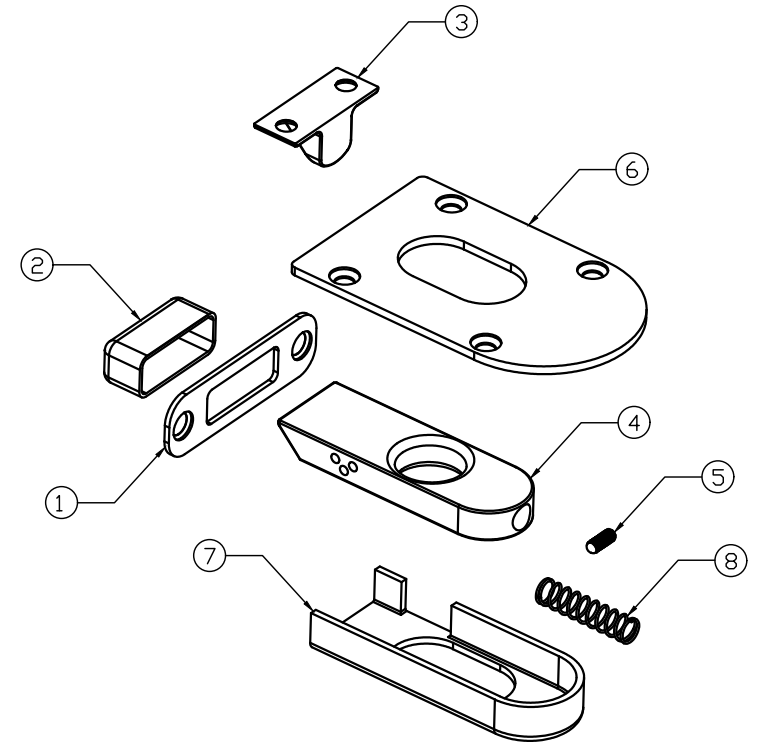
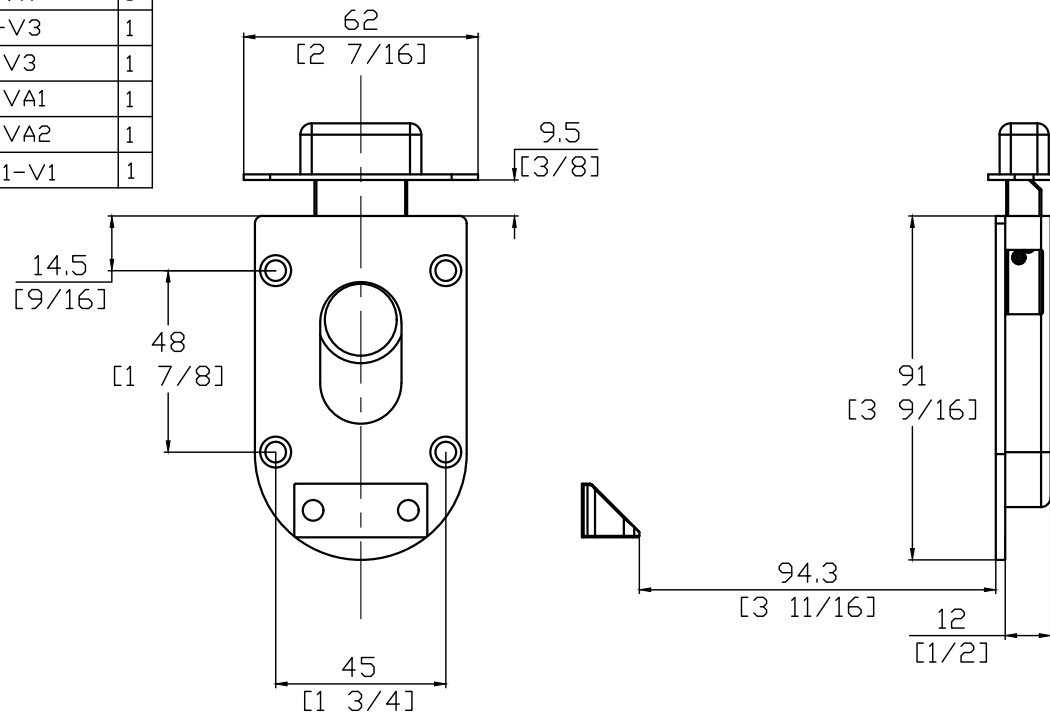
MILLIMETERS

ALL DIMENSIONS WITHOUT TOLERANCES ARE FOR REFERENCE ONLY.

THIRD ANGLE PROJECTION

A4 PAPER SIZE

SEQ	PART NUMBER	Q
①	0307596-V1	1
②	0307596-V2	1
③	0707401-VA	1
④	0907536-V3	1
⑤	9121572-V3	1
⑥	9121573-VA1	1
⑦	9121574-VA2	1
⑧	9121574-1-V1	1





DUAL STRIKE SPRING SLIDE LATCH

DATE	DRAWN	CHKD	SCALE	DRAWING NUMBER
28APR2023	CJY	P.L	1:2	J-0907537

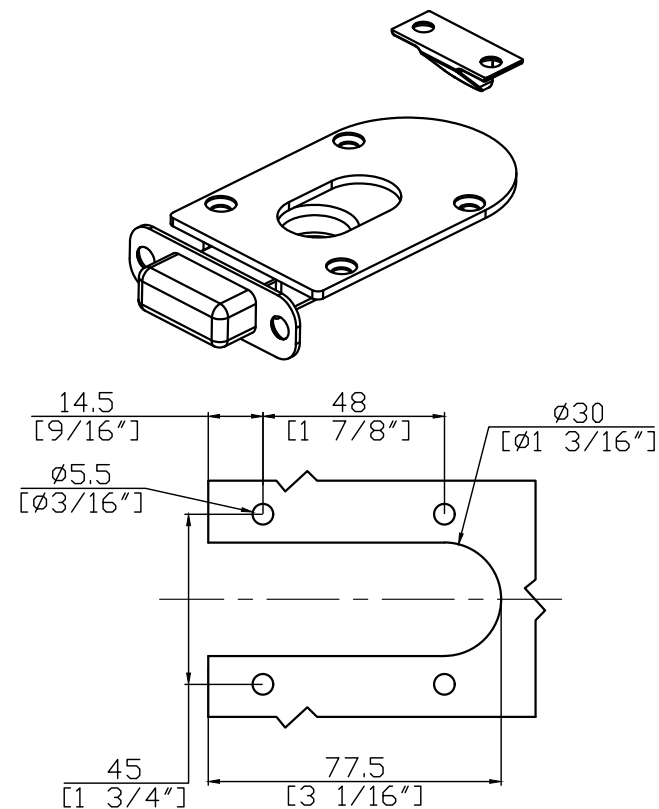
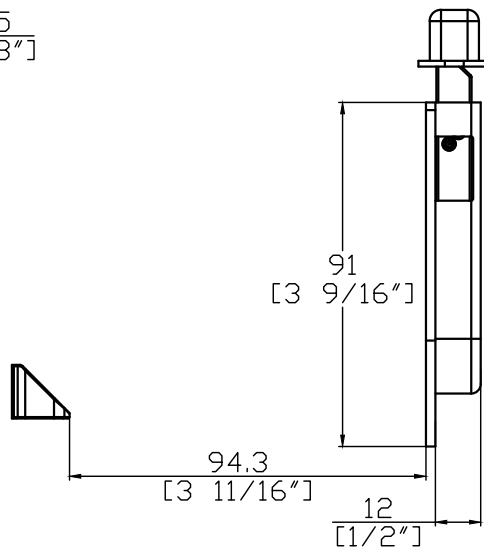
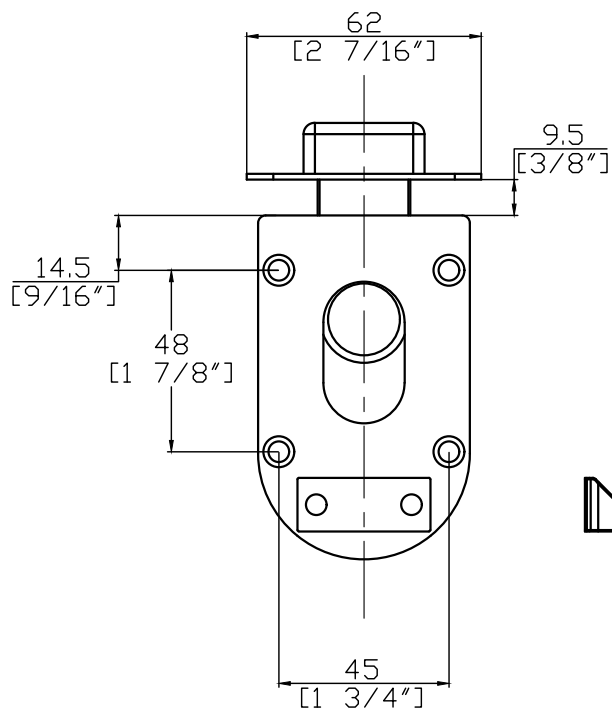
REV	DATE	DRAWN/CHKD	DESCRIPTION	PART NUMBER	MATERIAL	FINISH
				0907537	XXXXX	XXXXX

MILLIMETERS

ALL DIMENSIONS WITHOUT TOLERANCES ARE FOR REFERENCE ONLY.

THIRD ANGLE PROJECTION

A4 PAPER SIZE



PANEL PREPARATION

CONFIDENTIALITY NOTICE: The information contained in this document unless otherwise stated is privileged and confidential information and is intended for the use of the individual or company that have been specifically authorized to receive it. If you are not the intended recipient, and or if you are not under a confidentiality agreement with the Marine Town Inc., you are hereby notified that any use of the information herein by you or any dissemination, distribution or copying of this document or its content is strictly prohibited, failure to notify sender to the contrary within ten days constitutes agreement to these terms. If you have received this document in error, please delete it and notify Marine Town immediately at 886-2-2957-9880 or info@marinetown.com.tw.



DUAL STRIKE SPRING SLIDE LATCH

DATE	DRAWN	CHKD	SCALE	DRAWING NUMBER
28APR2023	CJY	P.L	1:2	J-0907537

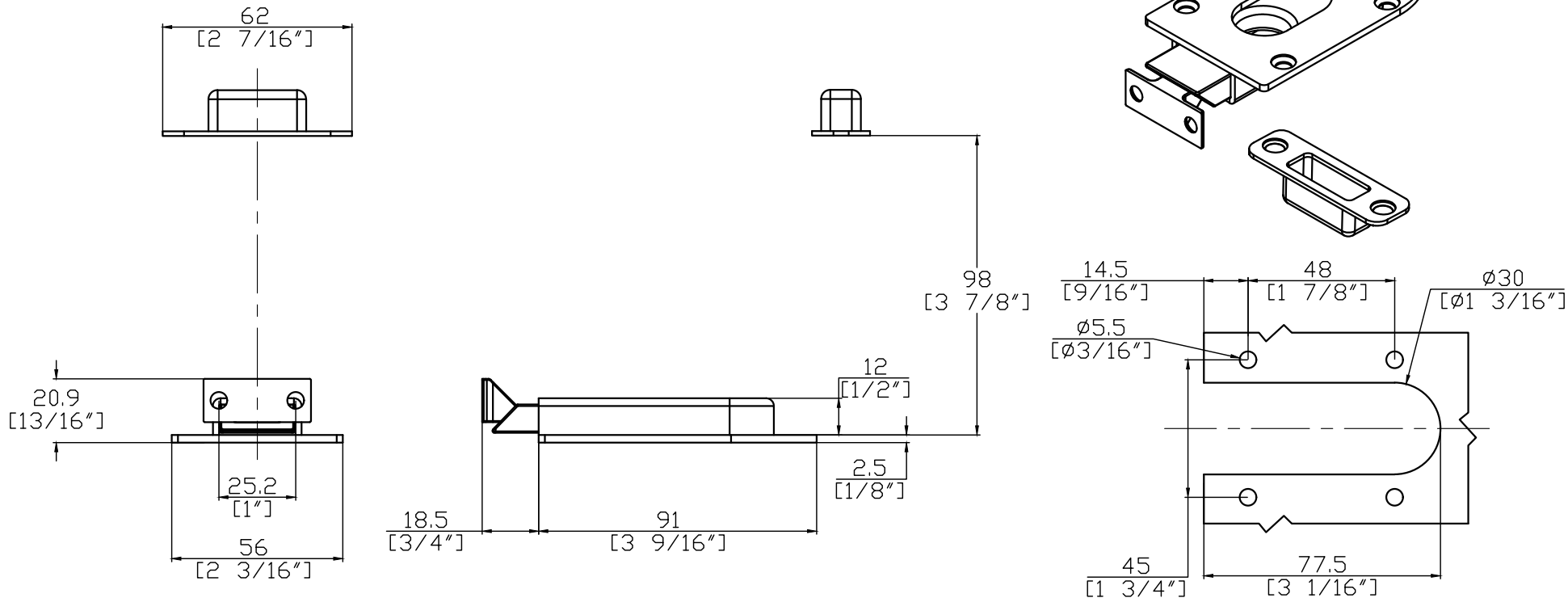
REV	DATE	DRAWN/CHKD	DESCRIPTION	PART NUMBER	MATERIAL	FINISH
				0907537	XXXXX	XXXXX

MILLIMETERS

ALL DIMENSIONS WITHOUT TOLERANCES ARE FOR REFERENCE ONLY.

THIRD ANGLE PROJECTION

A4 PAPER SIZE



PANEL PREPARATION

CONFIDENTIALITY NOTICE: The information contained in this document unless otherwise stated is privileged and confidential information and is intended for the use of the individual or company that have been specifically authorized to receive it. If you are not the intended recipient, and or if you are not under a confidentiality agreement with the Marine Town Inc., you are hereby notified that any use of the information herein by you or any dissemination, distribution or copying of this document or its content is strictly prohibited, failure to notify sender to the contrary within ten days constitutes agreement to these terms. If you have received this document in error, please delete it and notify Marine Town immediately at 886-2-2957-9880 or info@marinetown.com.tw.

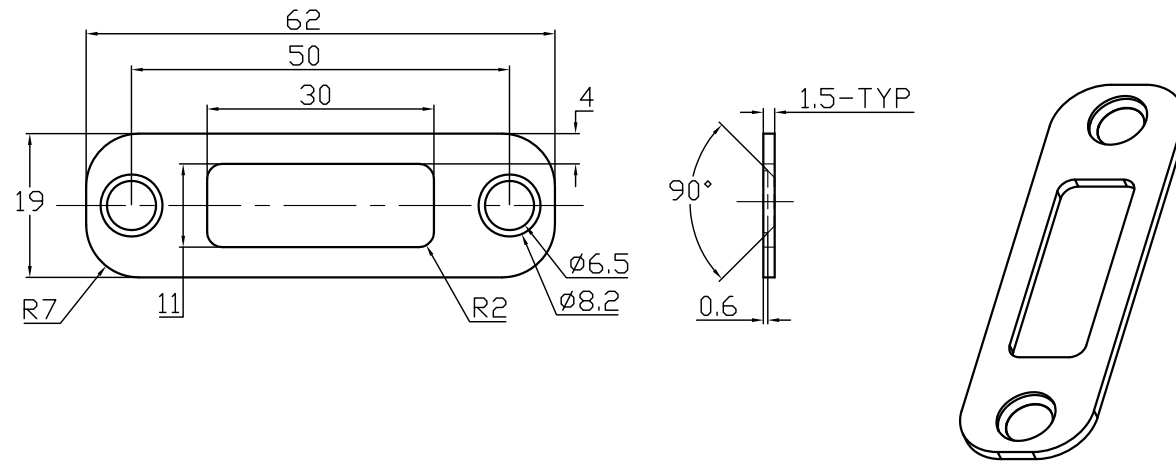


XXXXXXXXXXXX

DATE	DRAWN	CHKD	SCALE	DRAWING NUMBER
01AUG2014	LZB	A.W	1:1	H-0307596-V1

REV	DATE	DRAWN/CHKD	DESCRIPTION	PART NUMBER	MATERIAL	FINISH
				0307596-V1-30	SS316	PASSIVATED

MILLIMETERS
TOLERANCES UNLESS OTHERWISE NOTED
UP TO 20 ±0.2
OVER 20 UP TO 50 ±0.3
OVER 50 UP TO 100 ±0.5
OVER 100 UP TO 200 ±0.6
OVER 200 UP TO 300 ±0.9
ANGLES ±2°
THIRD ANGLE PROJECTION
A4 PAPER SIZE





XXXXXXXXXXXX



DATE	DRAWN	CHKD	SCALE	DRAWING NUMBER
01AUG2014	LZB	A.W	1:1	H-0307596-V2

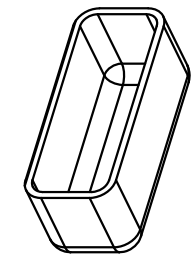
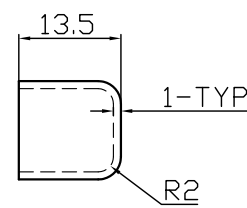
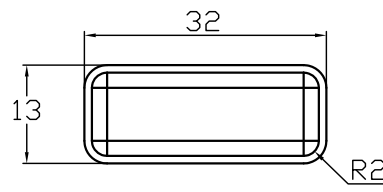
REV	DATE	DRAWN/CHKD	DESCRIPTION	PART NUMBER	MATERIAL	FINISH			
				0307596-V2-24	SS316	PASSIVATED			

MILLIMETERS

TOLERANCES UNLESS OTHERWISE NOTED

UP TO 20	±0.2
OVER 20 UP TO 50	±0.3
OVER 50 UP TO 100	±0.5
OVER 100 UP TO 200	±0.6
OVER 200 UP TO 300	±0.9
ANGLES	±2°



A4 PAPER SIZE





XXXXXXXXXXXX

DATE	DRAWN	CHKD	SCALE	DRAWING NUMBER
18MAR2020	CJY	P.L	1:1	H-0707401-VA

REV	DATE	DRAWN/CHKD	DESCRIPTION	PART NUMBER	MATERIAL	FINISH
				0707401-VA-30	SS316	PASSIVATED

MILLIMETERS

TOLERANCES UNLESS OTHERWISE NOTED

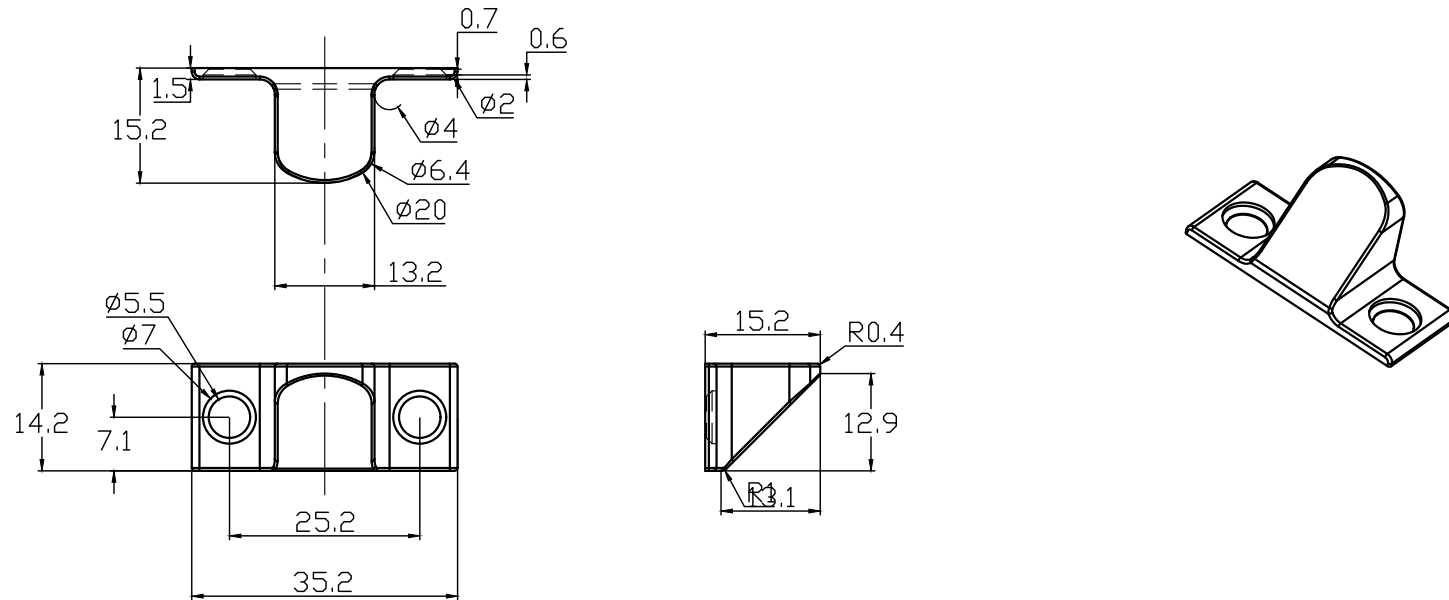
UP TO 20	±0.2
OVER 20 UP TO 50	±0.3
OVER 50 UP TO 100	±0.5
OVER 100 UP TO 200	±0.6
OVER 200 UP TO 300	±0.9
ANGLES	±2°

THIRD ANGLE PROJECTION

A4 PAPER SIZE

NOTES:

A. FOR DIMENSIONAL INFORMATION NOT LISTED SEE 3D MODEL.






XXXXXXXXXXXX

DATE	DRAWN	CHKD	SCALE	DRAWING NUMBER
17APR2020	CJY	P.L	1:1	H-0907536-V3

REV	DATE	DRAWN/CHKD	DESCRIPTION	PART NUMBER	MATERIAL	FINISH	DURDMETER
				0907536-V3-45	PA6	BLACK	XXXXX

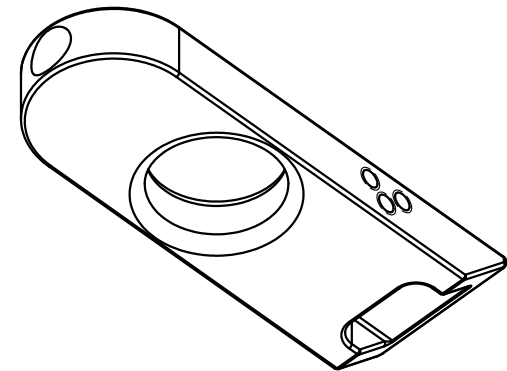
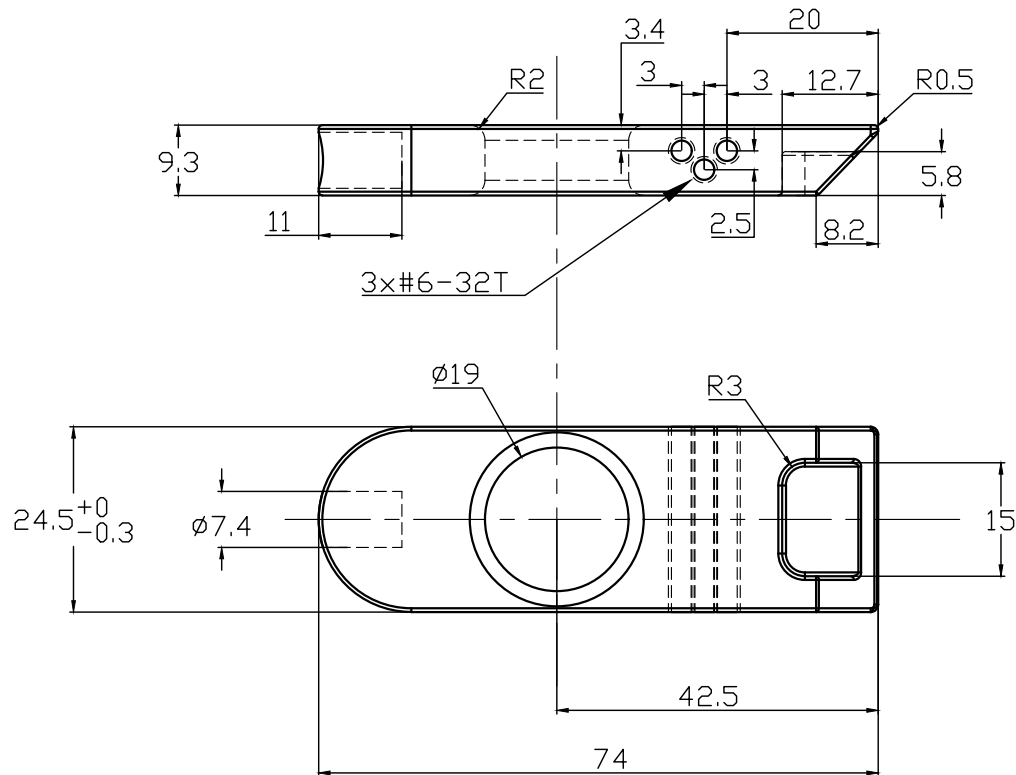
MILLIMETERS
TOLERANCES UNLESS OTHERWISE NOTED

UP TO 20	±0.2
OVER 20 UP TO 50	±0.3
OVER 50 UP TO 100	±0.5
OVER 100 UP TO 200	±0.6
OVER 200 UP TO 300	±0.9
ANGLES	±2°

THIRD ANGLE PROJECTION  A4 PAPER SIZE

NOTES:

A. FOR DIMENSIONAL INFORMATION NOT LISTED SEE 3D MODEL.





XXXXXXXXXXXX


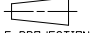
DATE	DRAWN	CHKD	SCALE	DRAWING NUMBER
12DEC2007	H.W	H.L	1:1	H-9121572-V3

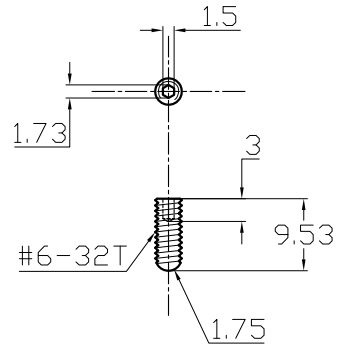
REV	DATE	DRAWN/CHKD	DESCRIPTION	PART NUMBER	MATERIAL	FINISH	QUANTITY
				9121572-V3-24	SS304	PASSIVATED	1

MILLIMETERS

TOLERANCES UNLESS OTHERWISE NOTED

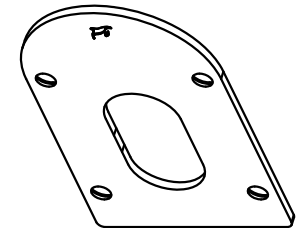
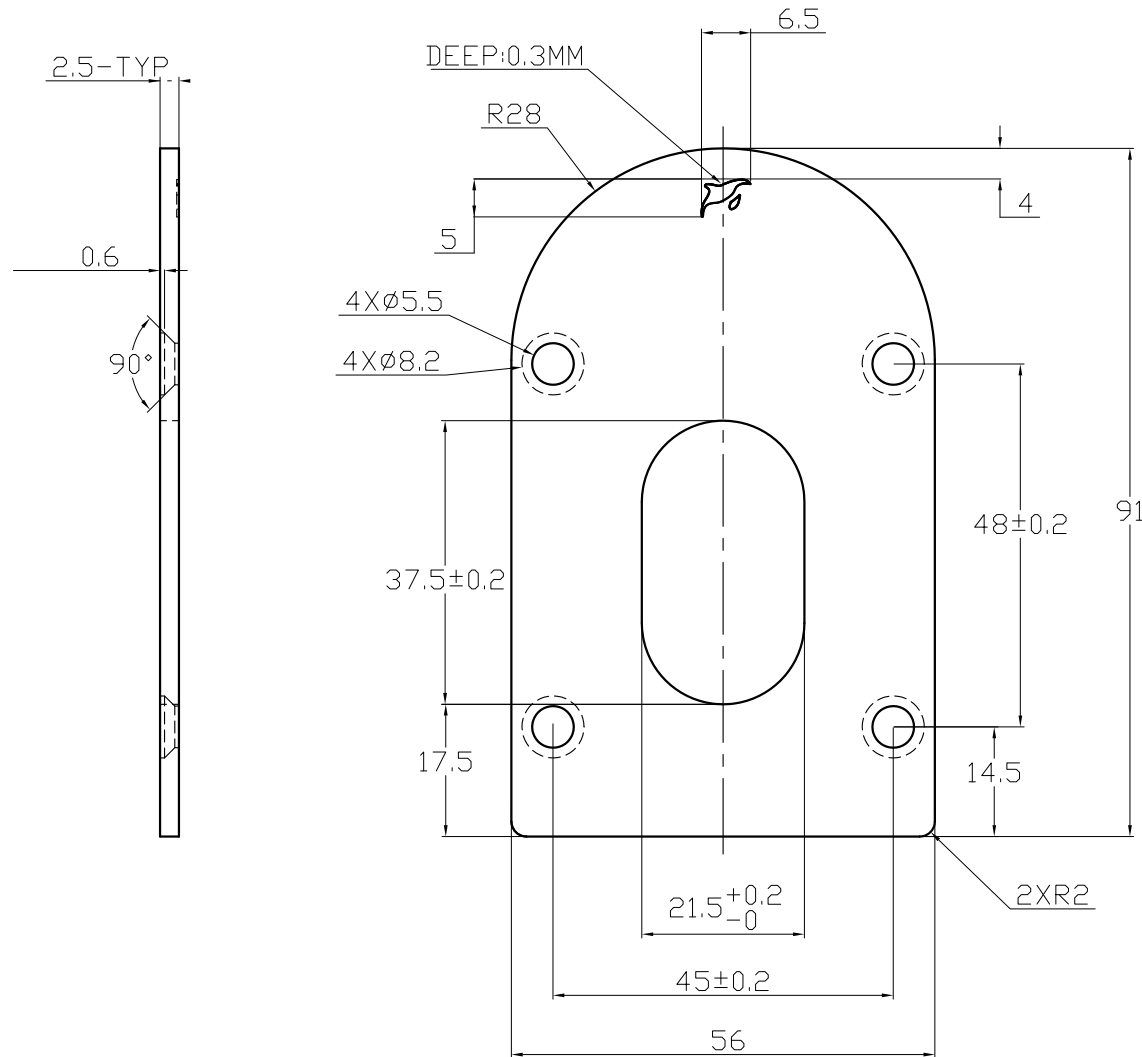
UP TO 20	±0.2
OVER 20 UP TO 50	±0.3
OVER 50 UP TO 100	±0.5
OVER 100 UP TO 200	±0.6
OVER 200 UP TO 300	±0.9
ANGLES	±2°



A4 PAPER SIZE



REV	DATE	DRAWN/CHKD	DESCRIPTION	PART NUMBER	MATERIAL	FINISH	QUANTITY
				9121573-VA1-30	SS316	PASSIVATED	1

MILLIMETERS	
TOLERANCES UNLESS OTHERWISE NOTED	
UP TO 20	±0.2
OVER 20 UP TO 50	±0.3
OVER 50 UP TO 100	±0.5
OVER 100 UP TO 200	±0.6
OVER 200 UP TO 300	±0.9
ANGLES	±2°
	THIRD ANGLE PROJECTION
	A4 PAPER SIZE



SCALE 1:2



XXXXXXXXXXXX

DATE	DRAWN	CHKD	SCALE	DRAWING NUMBER
07MAY2009	GHL	H.W	1:1	H-9121574-VA2

REV	DATE	DRAWN/CHKD	DESCRIPTION	PART NUMBER	MATERIAL	FINISH	QUANTITY
				9121574-VA2-30	SS316	PASSIVATED	1

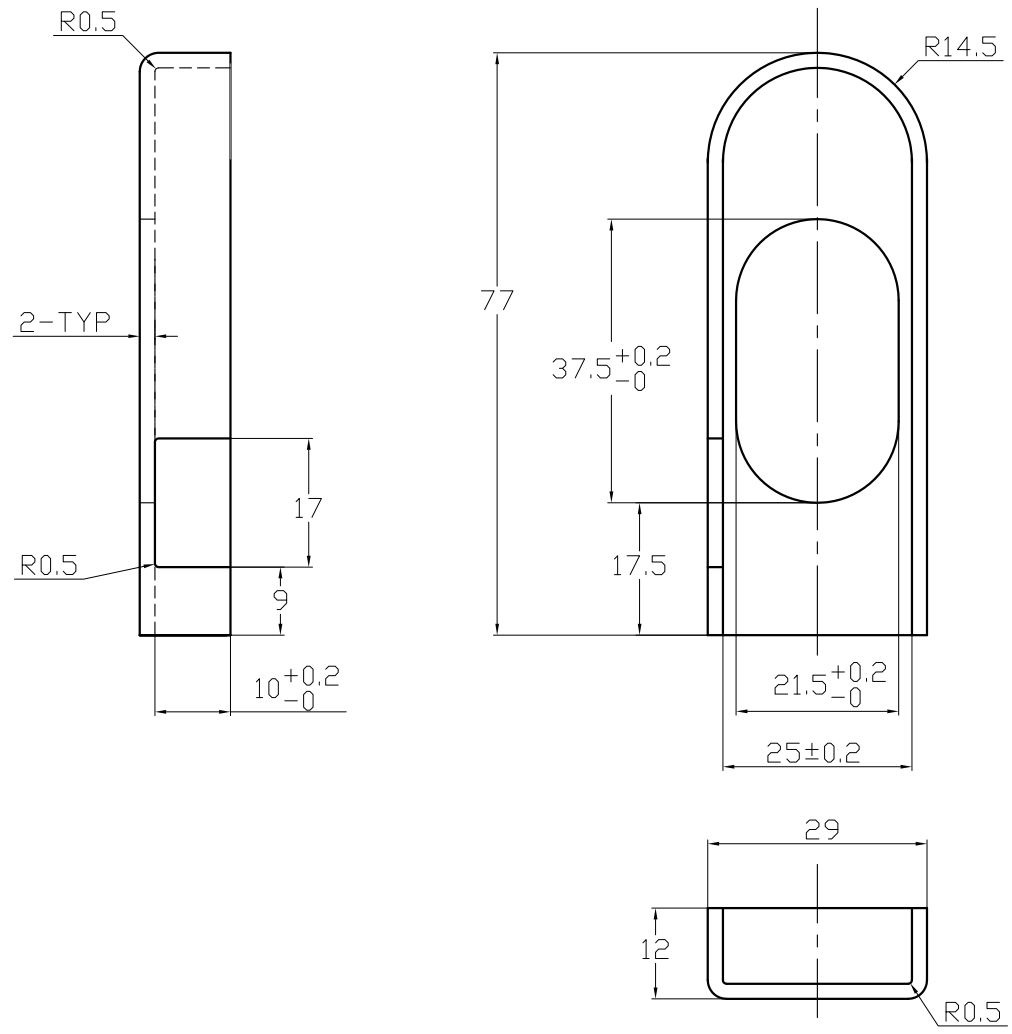
MILLIMETERS

TOLERANCES UNLESS OTHERWISE NOTED

UP TO 20	±0.2
OVER 20 UP TO 50	±0.3
OVER 50 UP TO 100	±0.5
OVER 100 UP TO 200	±0.6
OVER 200 UP TO 300	±0.9
ANGLES	±2°

THIRD ANGLE PROJECTION

A4 PAPER SIZE





NEW SPRING SS316

DATE	DRAWN	CHKD	SCALE	DRAWING NUMBER
04MAY2009	GHL	G.W	1:1	H-9121574-1-V1

REV	DATE	DRAWN/CHKD	DESCRIPTION	PART NUMBER	MATERIAL	FINISH			
				9121574-1-V1	SS316	PASSIVATED			

MILLIMETERS	
TOLERANCES UNLESS OTHERWISE NOTED	
UP TO 20	±0.2
OVER 20 UP TO 50	±0.3
OVER 50 UP TO 100	±0.5
OVER 100 UP TO 200	±0.6
OVER 200 UP TO 300	±0.9
ANGLES	±2°
	THIRD ANGLE PROJECTION
	A4 PAPER SIZE

