



# CUBIC MAG. HOLDER-BASE M

DATE	DRAWN	CHKD	SCALE	DRAWING NUMBER
117MAY2013	EVAN	H.W	1:1	J-0207669P

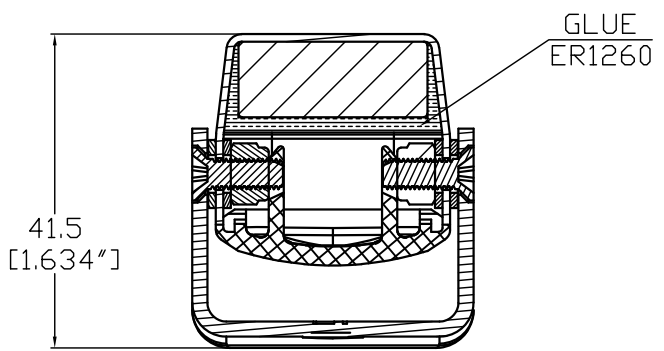
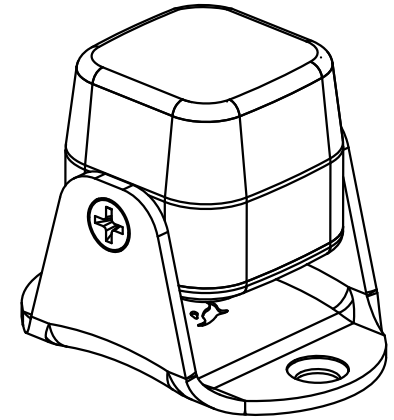
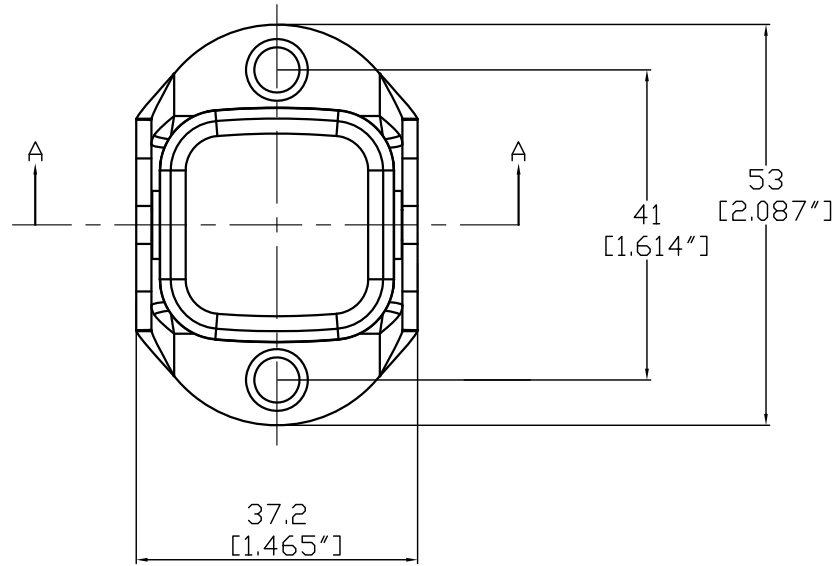
REV	DATE	DRAWN/CHKD	DESCRIPTION	PART NUMBER	MATERIAL	FINISH
				0207669P	XXXXX	XXXXX

MILLIMETERS

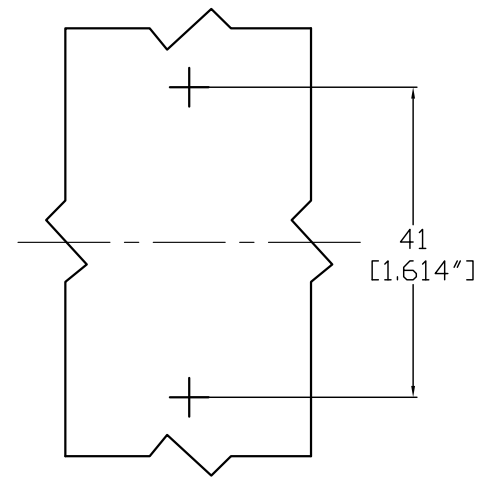
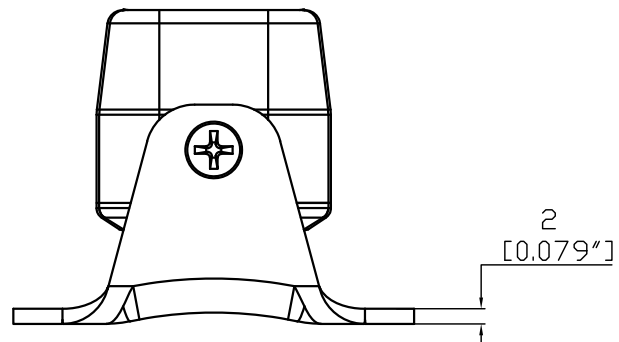
ALL DIMENSIONS WITHOUT TOLERANCES ARE FOR REFERENCE ONLY.

THIRD ANGLE PROJECTION

A4 PAPER SIZE



A-A



PANEL PREPARATION